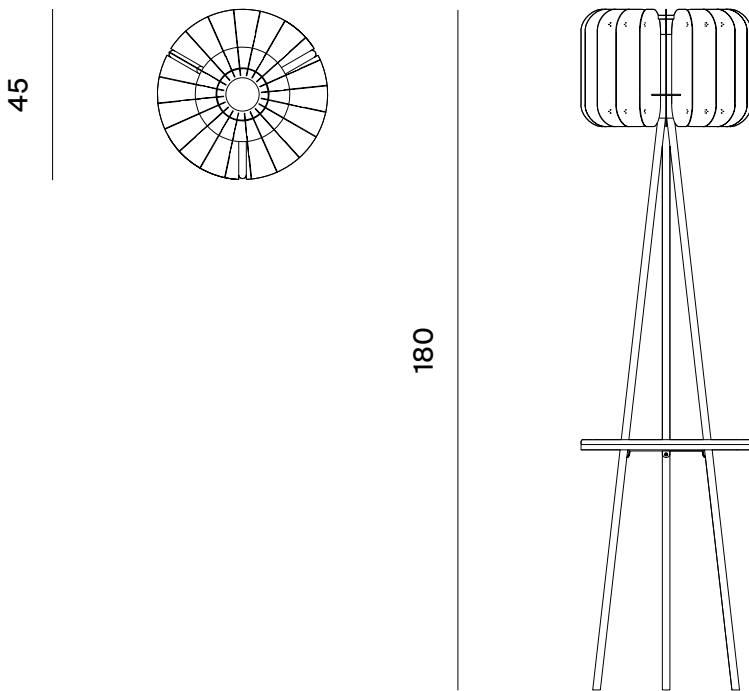


DIMENSIONS



MATERIAL FINISHES

STRUCTURE - ALUMINUM



FROMM.
Gold color

METAL SHEET 30/10, 20/10, 15/10.
LIQUID PAINTED (WATER BASED PAINT).

STRUCTURE - TUBULAR STEEL



FROMM.
Gold color

METAL LIQUID PAINTED (WATER BASED PAINT).

WOOD TRAY



Mw Newood

CUSTOM PLYWOOD (ALL FSC WOOD ORIGINALLY)
WITH EXTERNAL VENEER. WOOD THICKNESS
CHARACTERIZED BY A PRE-ASSEMBLED WOOD
IN THE MIDDLE, LIGHTER WOOD LAYERS MADE
IN POPLAR WOOD.

PATTERN



Shrouq Collection's - Signature Pattern

THREE PERFORATIONS THAT FORM THE
SHUROUQ COLLECTION'S SIGNATURE PATTERN
INSPIRED BY TRADITIONAL PIGEON TOWERS.