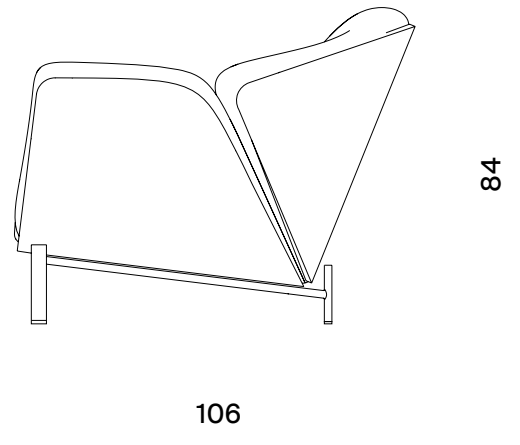
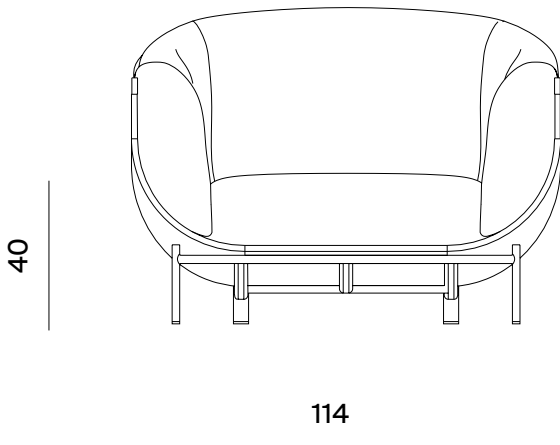


## DIMENSIONS



## MATERIAL FINISHES

### UPHOLSTERY



**Bouclé**  
Fabric 1730



**Eco-Leather**

PADDING MATERIAL FOR THE UPHOLSTERY:  
EXPANDED POLYURETHANE COVERED BY SOFT  
FIBER MADE FROM RECYCLED BOTTLES.

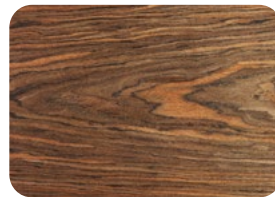
### STRUCTURE - TUBULAR STEEL



**FROMM.**  
Gold color

METAL LIQUID PAINTED (WATER BASED PAINT).

### WOOD SHELL



**Mw Newood**

CUSTOM PLYWOOD (ALL FSC WOOD ORIGINALLY)  
WITH EXTERNAL VENEER. WOOD THICKNESS  
CHARACTERIZED BY A PRE-ASSEMBLED WOOD IN  
THE MIDDLE, LIGHTER WOOD LAYERS MADE IN  
POPLAR WOOD.